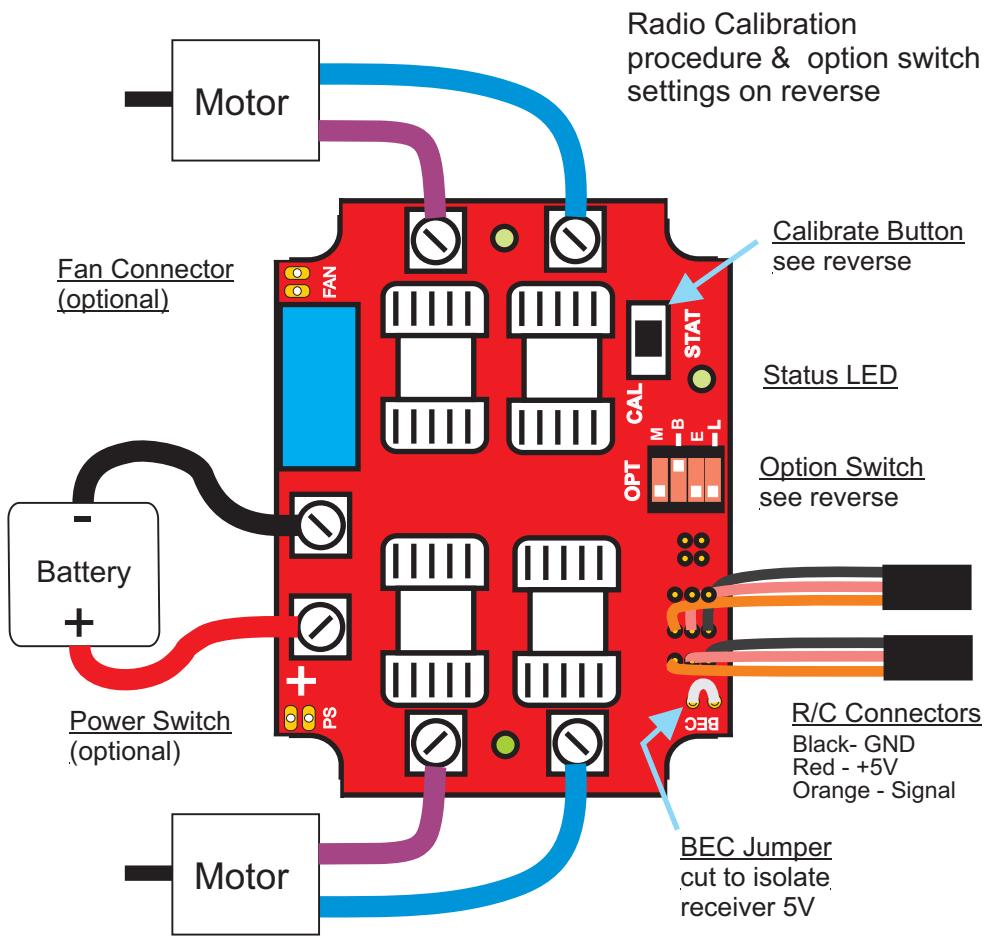




Robot Power Scorpion XXL / Ultra

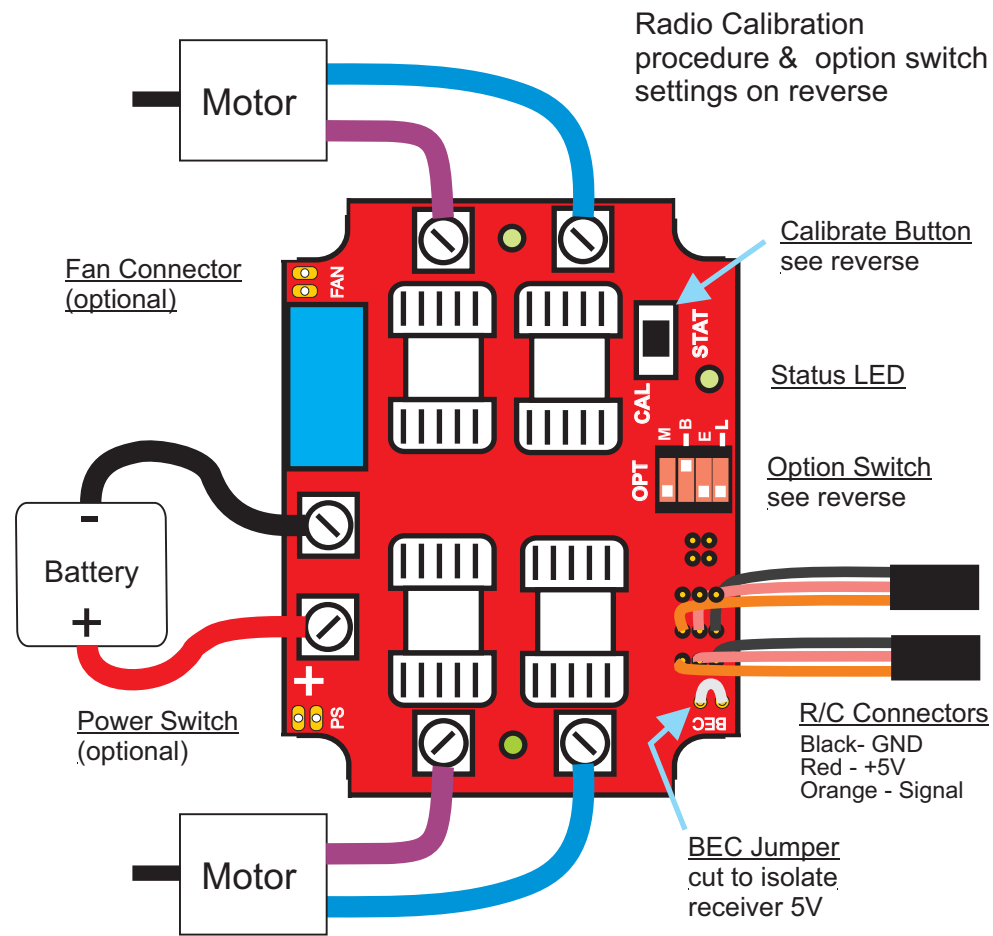


Connection Diagram

www.robotpower.com - 360-515-0691



Robot Power Scorpion XXL / Ultra



Connection Diagram

www.robotpower.com - 360-515-0691

Option Switch

- ▶ M - Mix Mode
 - ON - Mixed Mode
 - OFF L&R connected - Tank/Separate Mode
 - OFF L or R connected - Mirror Mode
- ▶ B - Brake Mode
 - ON - Brake
 - OFF - Coast
- ▶ E - Expo Mode
 - ON - Expo response
 - OFF - Linear response
- ▶ L - Lipo Cutoff
 - ON - Lipo cutoff active
 - OFF - Lipo cutoff ignored

Calibration Procedure

1. Center controls and trims
2. Press and hold Cal button until Status LED goes out (about 3 seconds), release button - Status LED blinks fast
3. Move sticks to full extent several times
4. Center sticks
5. Press and release Cal button to store settings and resume normal operation

Special: Enter & Exit Calibration mode with no signal or without moving sticks to restore factory settings

Option Switch

- ▶ M - Mix Mode
 - ON - Mixed Mode
 - OFF L&R connected - Tank/Separate Mode
 - OFF L or R connected - Mirror Mode
- ▶ B - Brake Mode
 - ON - Brake
 - OFF - Coast
- ▶ E - Expo Mode
 - ON - Expo response
 - OFF - Linear response
- ▶ L - Lipo Cutoff
 - ON - Lipo cutoff active
 - OFF - Lipo cutoff ignored

Calibration Procedure

1. Center controls and trims
2. Press and hold Cal button until Status LED goes out (about 3 seconds), release button - Status LED blinks fast
3. Move sticks to full extent several times
4. Center sticks
5. Press and release Cal button to store settings and resume normal operation

Special: Enter & Exit Calibration mode with no signal or without moving sticks to restore factory settings