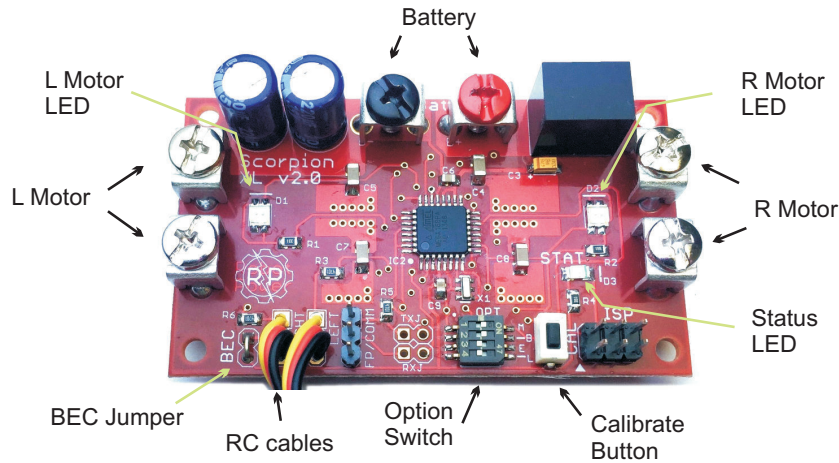


Scorpion XL v2 Dual H-bridge brushed DC motor control

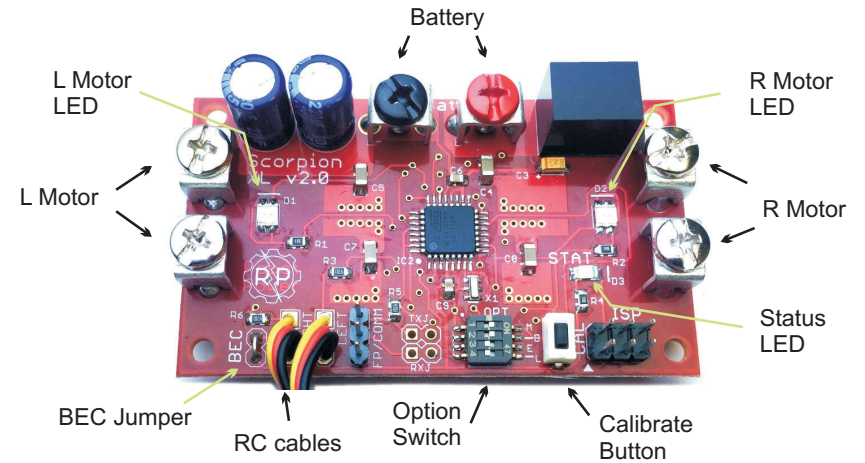


DIP Switch Setup

- M = Mixed steering & throttle (On) or Tank (Off)
- B = Brake mode On/Off
- E = Expo steering mode On/Off
- L = PWM Low Freq (On) or High Freq (Off)

For user documentation see
www.robotpower.com/downloads/
 **ROBOT POWER**
www.robotpower.com

Scorpion XL v2 Dual H-bridge brushed DC motor control

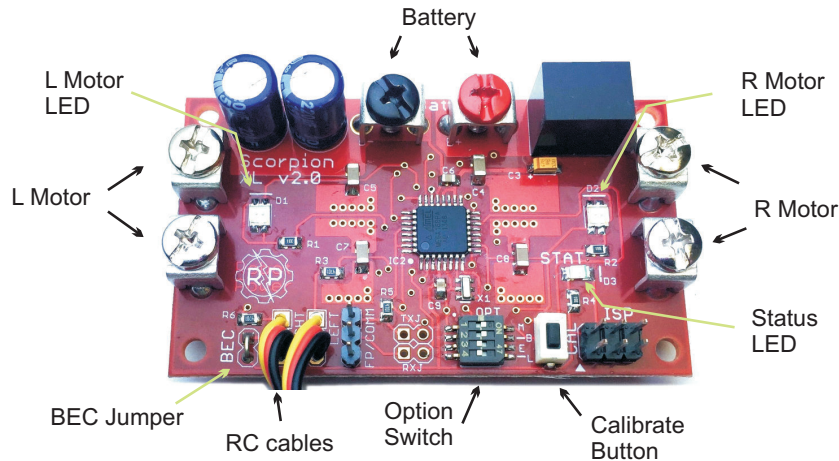


DIP Switch Setup

- M = Mixed steering & throttle (On) or Tank (Off)
- B = Brake mode On/Off
- E = Expo steering mode On/Off
- L = PWM Low Freq (On) or High Freq (Off)


For user documentation see
www.robotpower.com/downloads/
 **ROBOT POWER**
www.robotpower.com

Scorpion XL v2 Dual H-bridge brushed DC motor control

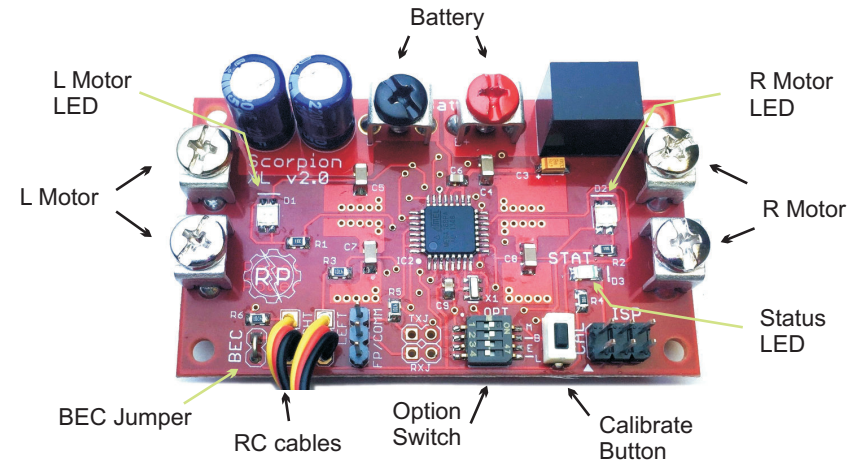


DIP Switch Setup

- M = Mixed steering & throttle (On) or Tank (Off)
- B = Brake mode On/Off
- E = Expo steering mode On/Off
- L = PWM Low Freq (On) or High Freq (Off)


For user documentation see
www.robotpower.com/downloads/
 **ROBOT POWER**
www.robotpower.com

Scorpion XL v2 Dual H-bridge brushed DC motor control



DIP Switch Setup

- M = Mixed steering & throttle (On) or Tank (Off)
- B = Brake mode On/Off
- E = Expo steering mode On/Off
- L = PWM Low Freq (On) or High Freq (Off)

For user documentation see
www.robotpower.com/downloads/
 **ROBOT POWER**
www.robotpower.com